

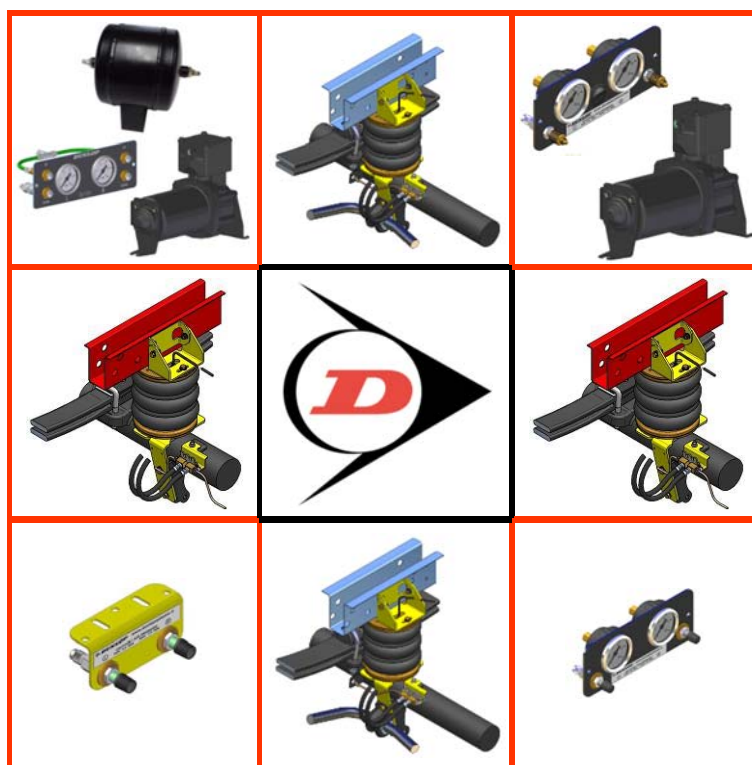
## Installation Manual

### L.TRA.DA.C.M

Ford Transit 350 (2001—2006)

### L.TRA.DA3.C.M

Ford Transit 350 (2006 Onwards)





Ford Transit 350

## L.TRA.DA.C.M/ L.TRA.DA3.C.M

### CONTENTS

1. FOREWORD .....	3
2. INTRODUCTION .....	4
3. VERY IMPORTANT NOTES.....	5
4. INSTRUCTIONS FOR INSTALLATION .....	7
4.1. Air Spring Installation.....	7
4.1.1. L.TRA.DA.C.M (2001—2006) .....	7
4.1.1.1. Removal of Bump Stop and attachment of Upper Bracket.....	7
4.1.1.2. Attachment of the Adaptor Bracket for the Brake Pipes .....	7
4.1.1.3. Preparation of the Air Springs.....	8
4.1.1.4. Installation of the Air Springs .....	8
4.1.2. L.TRA.DA3.C.M (2006 Onwards) .....	9
4.1.2.1. Removal of Bump Stop and Attachment of Upper Bracket.....	9
4.1.2.2. Attachment of the Adaptor Bracket for the Brake Pipes .....	9
4.1.2.3. Preparation of the Air Springs.....	9
4.1.2.4. Installation of the Air Springs .....	10
4.2. Fitting of Inflator Console.....	11
4.3. Tube Connection and Disconnection, Cutting and Routing .....	12
4.4. Spring Inflation.....	13
4.5. Spring Alignment .....	14
4.6. Maintenance.....	14
5. INSTALLATION DIAGRAMS .....	15
5.1. L.TRA.DA.C.M (2001—2006) .....	16
5.2. L.TRA.DA3.C.M (2006 Onwards).....	21
6. EPILOGUE .....	26

DSC Nederland B.V.  
Het Wegdam 22  
7496 CA Hengevelde  
Nederland  
Tel. : +31 (0)547 333065  
Fax. : +31 (0)547 333068  
e-mail: [info@dunlopsystems.nl](mailto:info@dunlopsystems.nl)  
Website: [www.dunlopsystems.nl](http://www.dunlopsystems.nl)

© 2017, DSC Nederland B.V.



Ford Transit 350

L.TRA.DA.C.M/ L.TRA.DA3.C.M

## 1. FOREWORD

This manual provides instructions for the installation of an auxiliary air suspension kit, developed specifically for the Ford Transit 350 model...

- **2001—2006**  
L.TRA.DA.C.M
- **2006 onwards**  
L.TRA.DA3.C.M

To ensure correct installation of the kit, it is strongly recommend that these instructions are read thoroughly before commencing any installation work. Installation should only be carried out by a suitably qualified mechanic or specialist installation facility. DSC Nederland. will not accept any responsibility for faults or defects arising from incorrect installation, which automatically renders the guarantee invalid.

### **IMPORTANT : Manufacturer's Declaration Form**

A manufacturer's declaration form is provided with your kit. Following installation of the kit please ensure that this form is completed, signed by a qualified fitter and a copy is returned to DSC Nederland by post, fax or e-mail. Our e-mail address is: [info@dunlopsystems.nl](mailto:info@dunlopsystems.nl)



Ford Transit 350

L.TRA.DA.C.M/ L.TRA.DA3.C.M

## 2. INTRODUCTION

Thank you for choosing an auxiliary air suspension kit from the range offered by *DSC Nederland*. Auxiliary air suspension is fitted in tandem with the standard steel springs of the vehicle suspension, and provides enhancements in terms of both the stability of the vehicle and the comfort of the passengers...

### Vehicle Levelling

Simply by varying the air pressure in the springs, the vehicle can be levelled both front-to-rear and side-to-side. Keeping the vehicle level optimises stability, ensures correct headlamp beam distribution and reduces tyre wear arising from uneven distribution of weight.

### Straight Line Stability

Straight line stability is greatly increased at higher speeds, and when subjected to buffeting from cross-winds or large overtaking vehicles.

### Reduced Body Roll

Body roll when cornering or negotiating roundabouts is significantly reduced.

### Fatigue Reduction and Wear Compensation

Suspension fatigue is reduced, so helping to prevent leaf springs from sagging under repeated or constant loading. Any sagging already present can be compensated-for. This is a particular benefit for motorhomes, which are always fully laden.

### Ride Comfort

Air springs help to absorb shock loads from uneven road surfaces, therefore general ride quality is much improved.

Ford Transit 350

L.TRA.DA.C.M/ L.TRA.DA3.C.M

### 3. VERY IMPORTANT NOTES



#### Gross Vehicle Weight (GVW)

Air assist kits are not in themselves designed to increase the gross vehicle weight (GVW) rating of a vehicle. They do not legally allow for carriage of a load greater than the carrying capacity stated on the data plate of the vehicle.

Do not exceed the maximum load specified by the vehicle manufacturer...

- ◆ to avoid compromising passenger safety
- ◆ to prevent possible damage to the vehicle
- ◆ for legal reasons



#### Load Sensing Valve (LSV) Adjustment

If your vehicle is not fitted with an antilock braking system (ABS) then it will have a load sensing valve (LSV) to automatically adjust braking force under varying load conditions. This valve **must** be adjusted immediately after the fitting of an air assist kit and before the vehicle is driven again on public roads.

If the LSV is not adjusted following the fitting of an air assist kit, it may misjudge rear load conditions to the extent that the braking pressure applied to the rear brakes is not correct (e.g. the rear wheels may lock with no load on the rear axle). The consequences of this in terms of vehicle stability and safety are potentially serious.

#### Vehicle Upgrading

Despite the above words of caution, it is possible to upgrade the weight rating of your vehicle. This must be carried-out by a specialist supplier that will...

- ◆ carry out any necessary modifications in addition to fitting the air assist kit
- ◆ complete documentation as necessary to inform the Vehicle and Operator Services Agency (VOSA) – a mandatory requirement
- ◆ supply and fit a new weight plate to replace the original plate supplied with the vehicle

This process applies to United Kingdom registered vehicles. The process in other countries may be different.



Ford Transit 350

L.TRA.DA.C.M/ L.TRA.DA3.C.M

### Safety Guidance Note

The following very useful guidance note is available for free download from the *Health and Safety Executive* (HSE)...

**PM85, July 2007** *Safe recovery (and repair) of buses and coaches fitted with air suspension*

The uniform resource locator (URL) for this document is...

<http://www.hse.gov.uk/PUBNS/pm85.pdf>

Ford Transit 350

L.TRA.DA.C.M/ L.TRA.DA3.C.M

## 4. INSTRUCTIONS FOR INSTALLATION



### Preparation and Precaution

Before beginning installation, ensure that you have sufficient clearance between the axle and the chassis. Use a jack if necessary. Install at one side of the vehicle at a time.



Pay attention to your safety at all times during installation - always use axle stands to support the vehicle!



### 4.1 Air Spring Installation

#### 4.1.1 L.TRA.DA.C.M / L.TRA.DA.C.M.A (2001—2006)

The following instructions make reference to the diagrams on pages 17 to 20 inclusive.

##### 4.1.1.1 Removal of Bump Stop and Attachment of Upper Bracket

- i. Unscrew and remove the bump stop — Figures 1, 2 and 3
- ii. Attach the upper bracket to the chassis using a single M10 x 30mm bolt, making use of the hole left vacant by removal of the bump stop. Ensure that the orientation is correct! Figures 4 and 5.
- iii. Push the upper part of the bracket fully downwards, then tighten the two bolts that join the two parts of the bracket — Figures 6 and 7

##### 4.1.1.2 Attachment of the Adaptor Bracket for the Brake Pipes

- i. Unscrew the bracket that connects the brake pipes to the axle — Figures 8, 9, 10 and 11
- ii. Attach the adaptor bracket supplied with the kit to the axle — Figure 12
- iii. Attach the brake pipe bracket to the adaptor bracket — Figures 13, 14 and 15



Ford Transit 350

## L.TRA.DA.C.M/ L.TRA.DA3.C.M

### 4.1.1.3 Preparation of the Air Springs

- i. Connect a tube to each air spring - refer to section 4.6. Use the blue -coloured tube for the left-side of the suspension and black for the right-side.
- ii. Compress the springs and then bung the tubes to maintain the state of compression

### 4.1.1.4 Installation of the Air Springs

- i. Position the lower bracket against the flange beneath the axle — Figures 16 and 17
- ii. Attach the lower bracket to the flange via two bolts, two nuts and four flat washers — Figures 18 and 19
- iii. Place the air spring onto the lower bracket with the air tube uppermost and then pass the tube through the large hole in the upper bracket — Figures 20 and 21
- iv. Attach the air spring to the lower bracket using two M8 x 16mm bolts and two M8 washers — Figures 22 and 23. Do not fully tighten the bolts at this stage because the bellow may require alignment once inflated (Figure 27, Section 4.5).
- v. Remove the bung from the tube. The spring now inflates until its top plate comes into contact with the upper bracket of the air assist kit — Figure 24.
- vi. Attach the upper bracket to the top plate of the air spring using two M8 x 16mm bolts and two M8 washers — Figures 25 and 26. Do not fully tighten the bolts at this stage because the bellow may require alignment once inflated (Figure 27, Section 4.5).





Ford Transit 350

## L.TRA.DA.C.M/ L.TRA.DA3.C.M

### 4.1.2 L.TRA.DA3.C.M (2006 Onwards)

The following instructions make reference to the diagrams on pages 22 to 25 inclusive.

#### 4.1.2.1 Removal of Bump Stop and Attachment of Upper Bracket

- i. Unscrew and remove the bump stop — Figures 1, 2, 3 and 4.
- ii. Attach the upper bracket to the chassis using a single M10 x 30mm bolt, making use of the hole left vacant by removal of the bump stop. Ensure that the orientation is correct! Figures 5 and 6.
- iii. Push the upper part of the bracket fully downwards, then tighten the two bolts that join the two parts of the bracket — Figures 7 and 8.

#### 4.1.2.2 Attachment of the Adaptor Bracket for the Brake Pipes

- i. Unscrew the bracket that connects the brake pipes to the axle — Figures 9, 10 and 11
- ii. Attach the adaptor bracket supplied with the kit to the axle — Figures 12 and 13
- iii. Attach the brake pipe bracket to the adaptor bracket — Figures 14, 15 and 16

#### 4.1.2.3 Preparation of the Air Springs

- i. Connect a tube to each air spring - refer to section 4.6. Use the blue -coloured tube for the left-side of the suspension and black for the right-side.
- ii. Compress the springs and then bung the tubes to maintain the state of compression
- iii. Attach the lower brackets to the air springs, using two M8 x 16mm bolts and two M8 washers — Figures 17 and 18. Do not fully tighten the bolts at this stage because the bellow may require alignment once inflated (Figure 31, Section 4.5).



Ford Transit 350

## L.TRA.DA.C.M/ L.TRA.DA3.C.M

### 4.1.2.4 Installation of the Air Springs

- i. Unscrew and temporarily remove the two bolts from the bracket that attaches the stabilisation bar to the axle — Figures 19 and 20
- ii. Remove the two small 'clip' brackets from the flange beneath the axle to which the stabilisation bar was connected — Figures 21 and 22
- iii. Position the lower bracket against the flange beneath the axle — Figures 23 and 24
- iv. Reconnect the stabilisation bar bracket to the flange beneath the axle, thereby also attaching the lower bracket to the axle — Figures 25 and 26
- v. Pass the tube through the large hole in the upper bracket, then remove the bung from the tube. The spring now inflates until its top plate comes into contact with the upper bracket of the air assist kit — Figure 28.
- vi. Attach the upper bracket to the top plate of the air spring using two M8 x 16mm bolts and two M8 washers — Figures 29 and 30

## Ford Transit 350

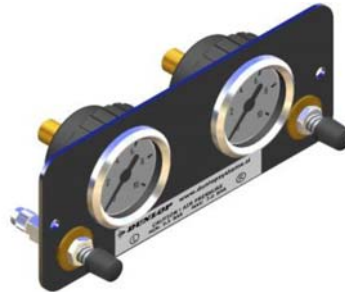
### L.TRA.DA.C.M/ L.TRA.DA3.C.M

#### 4.2 Fitting of Inflator Console

Option Valves



Option 1



Option 2



Option 3



Your kit is supplied with one of the inflator options console shown above...

- 'Option Valves', having two valves and a bracket (above, top-left)
- 'Option 1', 'Option 2' or 'Option 3', having both valves and pressure gauges

Mount the console in a position of your choice whereby it is firmly fixed, has some protection from the environment (particularly important for the console with gauges) and is easily accessible. Suggested possible locations include...

#### Console with Valves Only...

- on the rear bumper
- at the rear beside the license plate
- on the chassis next to a rear wheel
- in a service shutter
- beside the fuel cap

#### Console with Valves and Gauges...

- in the vehicle cabin, within reach and sight of the driver
- in the wall of a cupboard (motorhomes)
- in a service shutter

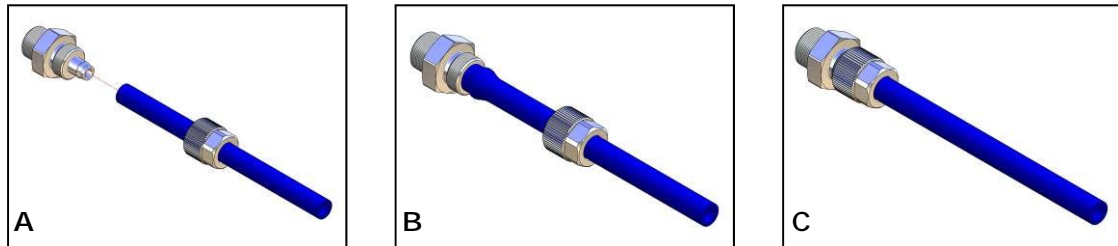
#### 'Comfort' Packages

The 'Option 2' and 'Option 3' panels, as shown above, are each part of a *Comfort Package* that is supplied with a compressor (and also an air reservoir in the case of the 'Option 3' panel) for ease of spring inflation and ride height setting. For further information please ask your dealer.

### 4.3 Tube Connection and Disconnection, Cutting and Routing

#### Connection and Disconnection

Tubes are connected as shown by the diagrams below...



- Slide a nut over the end of the tube
- Push the tube onto the connector as far as possible
- Feed the nut up to the connector, fully tighten by hand and finally tighten one additional turn using spanners

#### Cutting

To achieve good sealing and air-tight fitting of tube ends to their connecting parts, it is very important to cut tubing cleanly and squarely. A dedicated guillotine action tubing cutter is recommended, or a craft knife if such a tool is not available. Do not use electrician's side cutters.



A dedicated tubing cutter -  
**Recommended**



Electrician's Side Cutters  
**NOT Recommended**

## Ford Transit 350

### L.TRA.DA.C.M/ L.TRA.DA3.C.M

#### Routing

Study the underside of the vehicle and decide how to route each branch of the air circuit...

- To minimise the risk of chafing, avoid running tubing over metal edges as much as possible
- Avoid close proximity to heat sources such as the exhaust assembly
- Choose a route that provides as much protection as possible from dirt, debris and any solid objects that may impact the underside of the vehicle

It is recommended that tubes are guided alongside brake lines as much as possible.



Use cable ties ('tie wraps') to secure tubing to the chassis, taking care not to over-tighten them.

#### 4.4 Spring Inflation

Once installation of the air assist kit is complete, inflate the springs via the inflator console taking careful note of the following...



##### Maximum and Minimum Pressure

**Maximum Pressure 7.0bar**                      **Minimum Pressure 0.5bar**

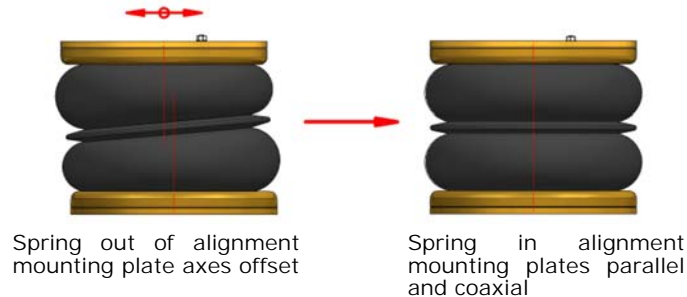
Do not exceed 7.0bar (101psi), which is the recommended maximum charge pressure for the air springs.

The springs may be deflated if the vehicle is to be stored for a lengthy period without use, but a pressure of at least 0.5bar (7.25psi) should be maintained at all times in order to avoid possible compression damage to the springs.

Ford Transit 350

L.TRA.DA.C.M/ L.TRA.DA3.C.M

#### 4.5 Spring Alignment



#### CAUTION!

Before fully tightening the bolts that secure the air spring to the upper and lower brackets, set the vehicle at ride height (spring height approximately 13.5cm) and ensure that the springs are correctly aligned.

#### 4.6 Maintenance

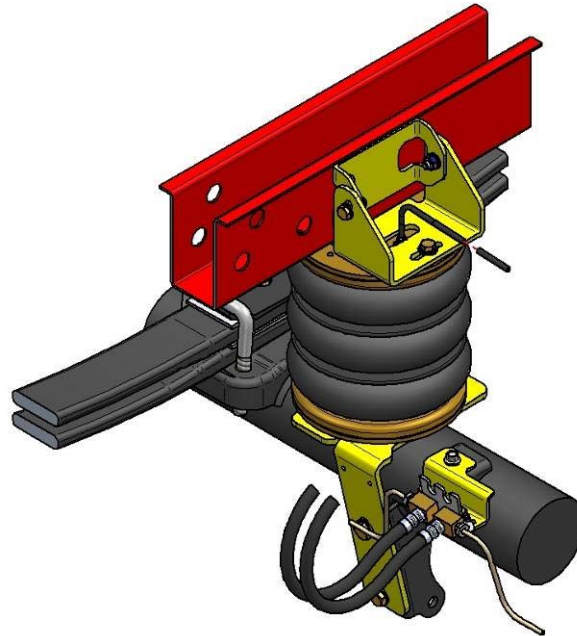
Following installation, it is recommended that all metal parts are coated with a protective substance such as body wax.

The system does not require very much maintenance other than...

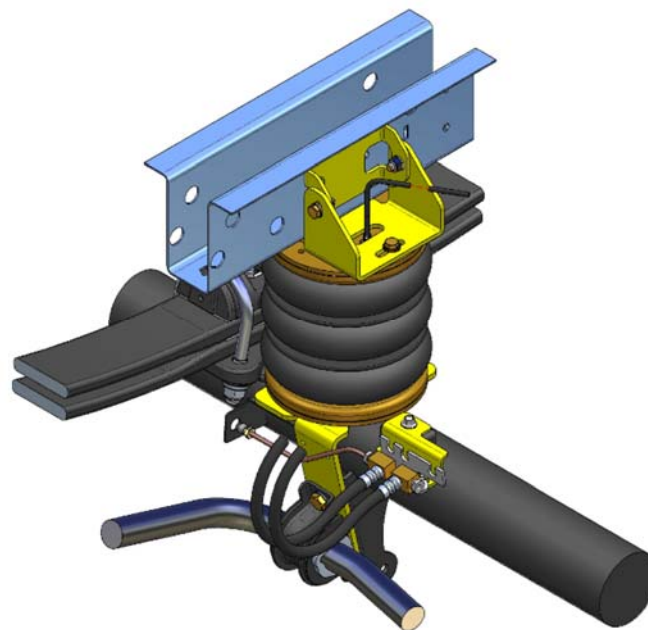
- ◆ to maintain air pressure in the springs. Much like a tyre, the system may lose a little air over time.
- ◆ to keep the air bellows clean. It is suggested that, when washing the vehicle, the bellows are inspected and cleaned as necessary (preferable by spraying). Look in particular for stones or grit trapped between convolutes, as this may damage the bellow.

Ford Transit 350  
L.TRA.DA.C.M/ L.TRA.DA3.C.M

5. INSTALLATION DIAGRAMS



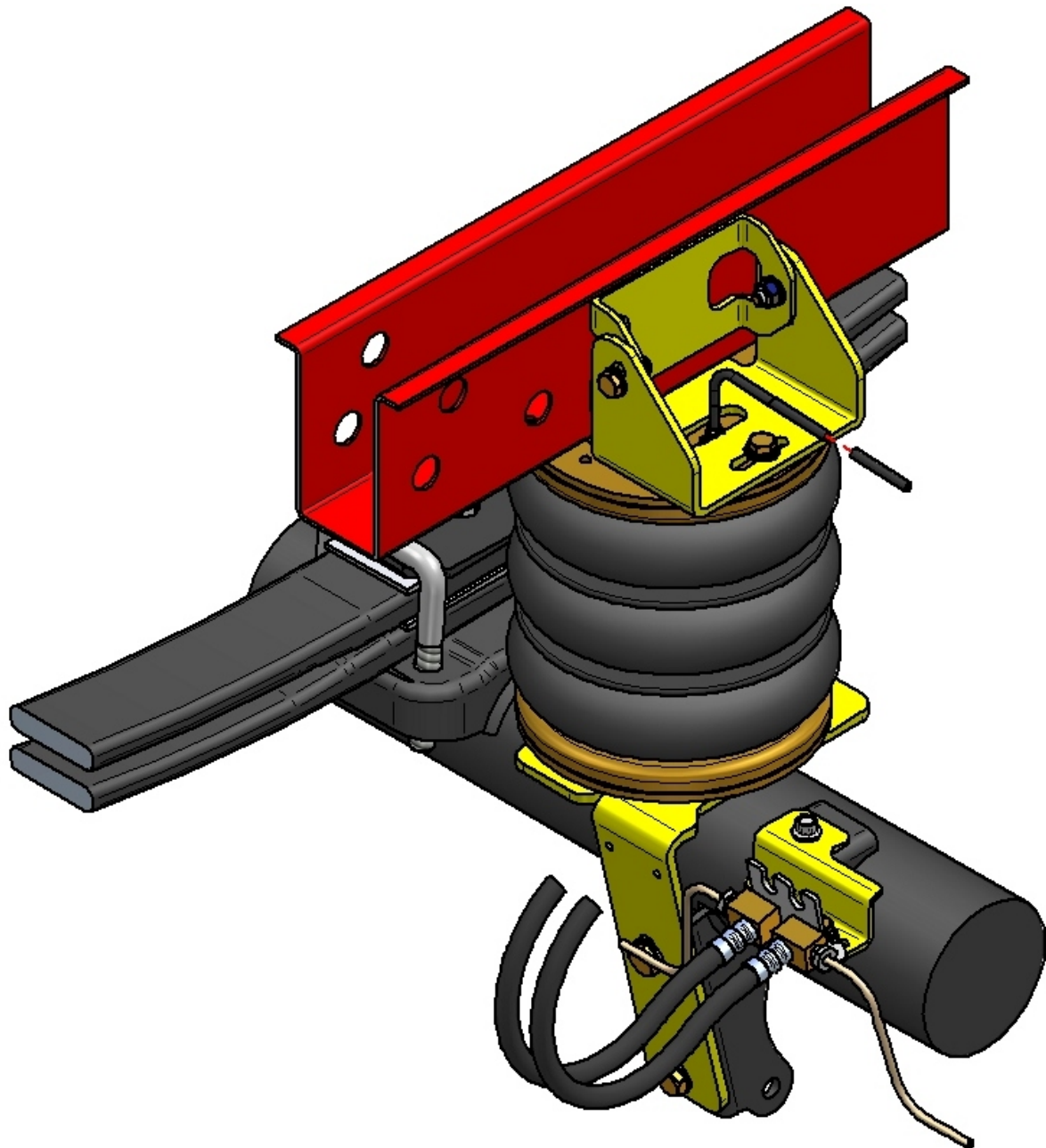
L.TRA.DA.C.M / L.TRA.DA.C.M.A



L.TRA.DA3.C.M

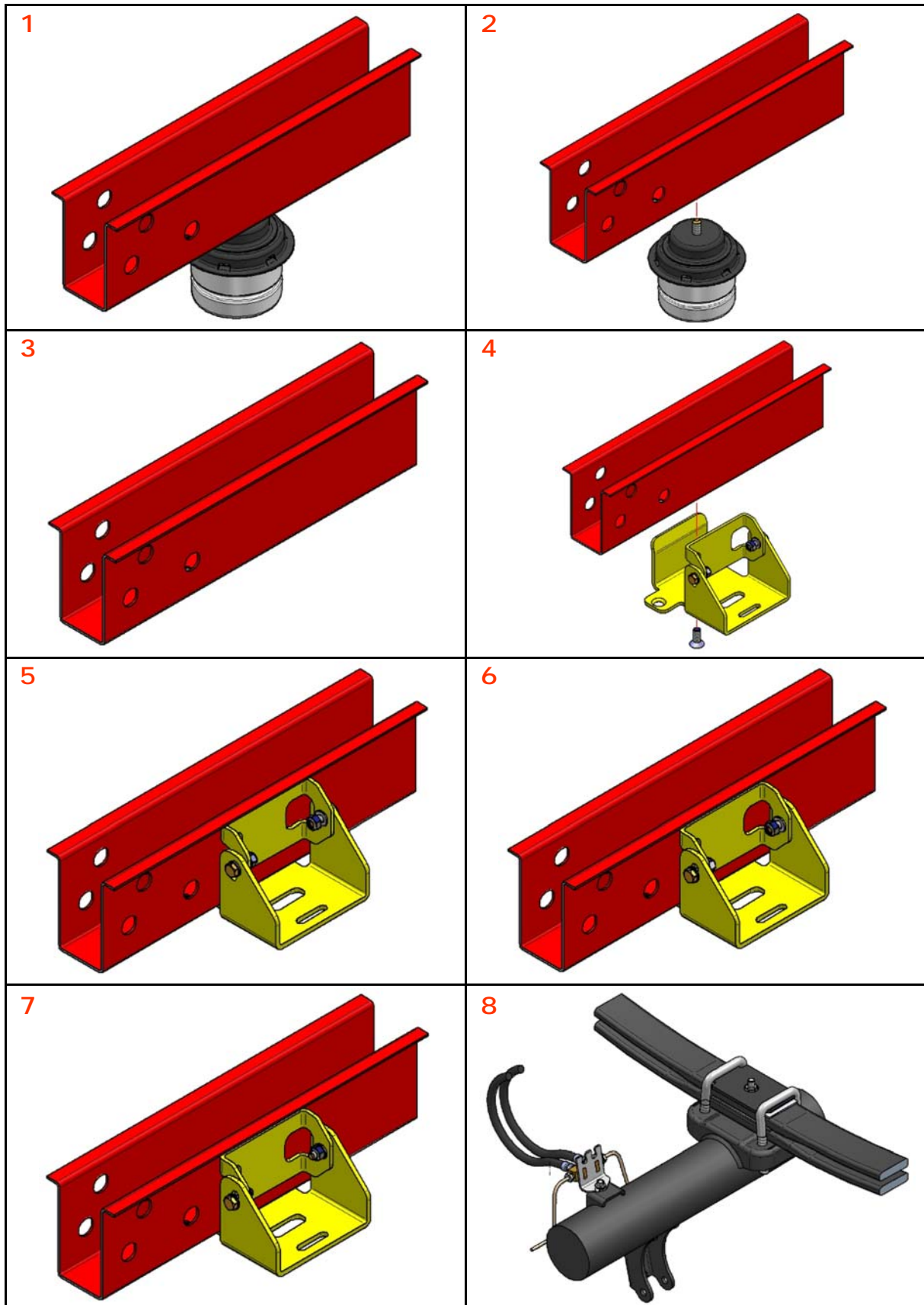
Ford Transit 350  
L.TRA.DA.C.M/ L.TRA.DA3.C.M

5.1 L.TRA.DA.C.M / L.TRA.DA.C.M.A (2001—2006)

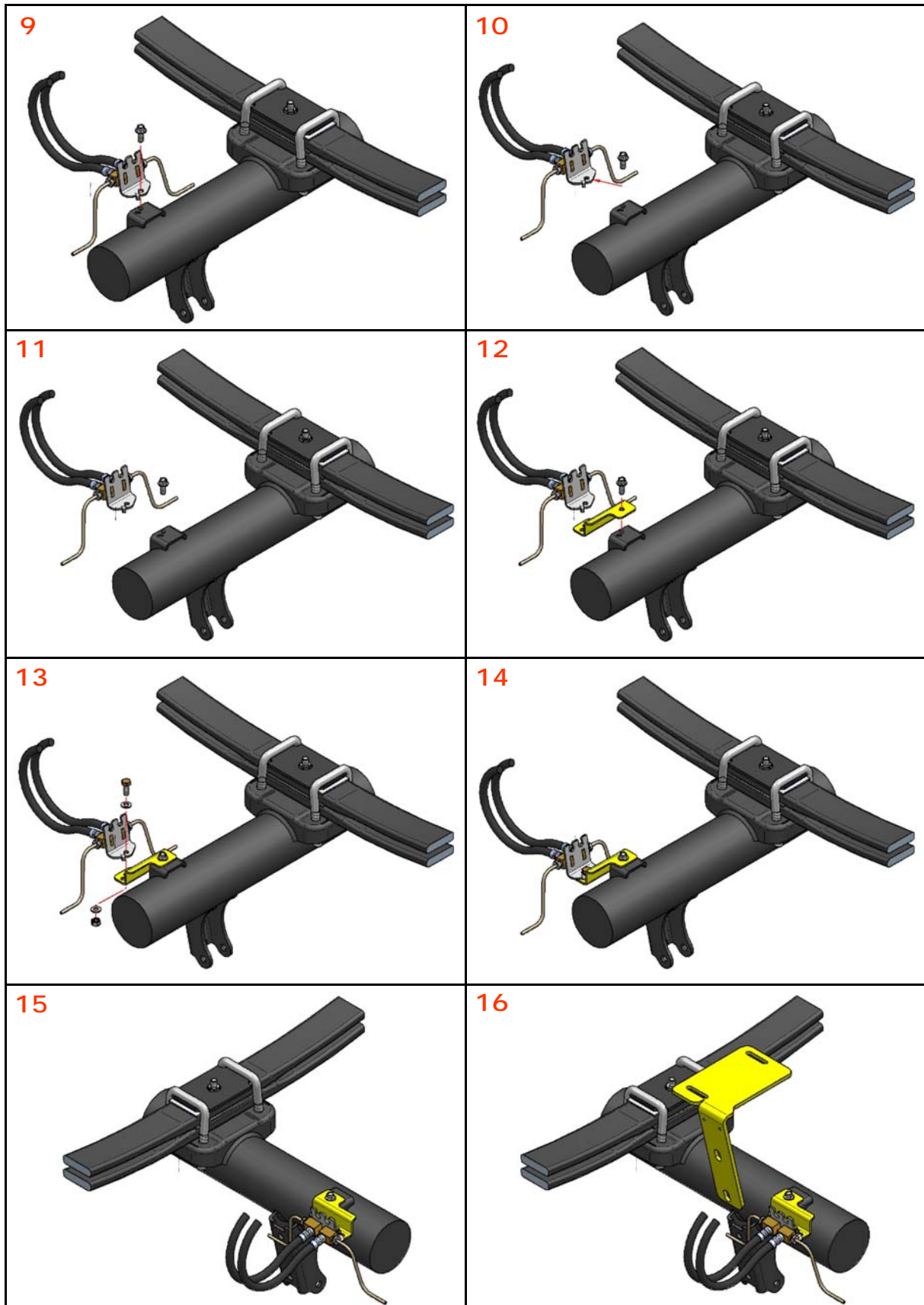




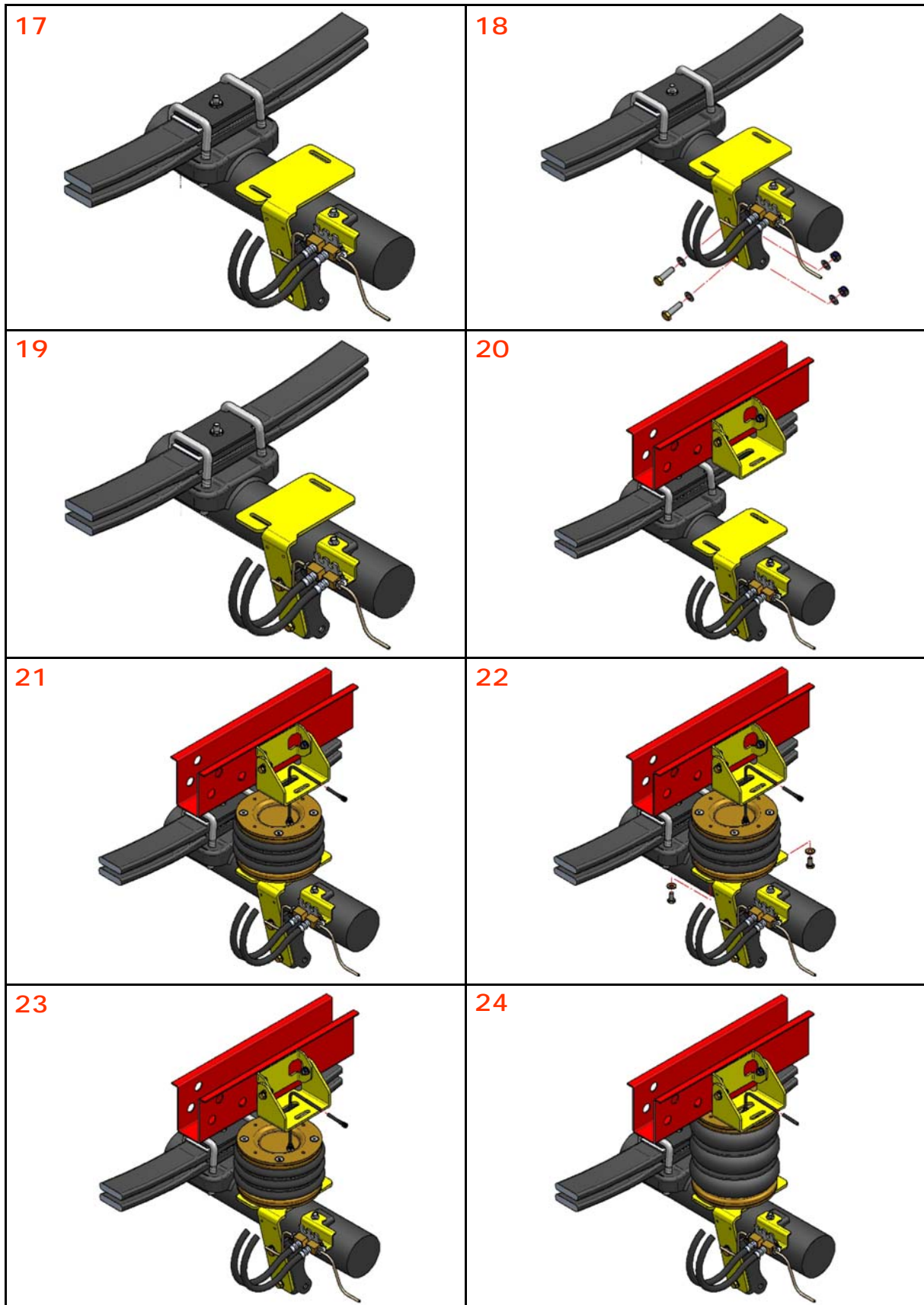
Ford Transit 350  
L.TRA.DA.C.M / L.TRA.DA3.C.M



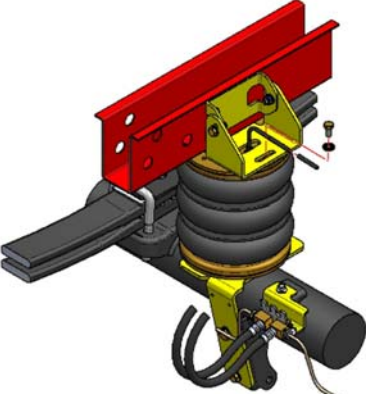
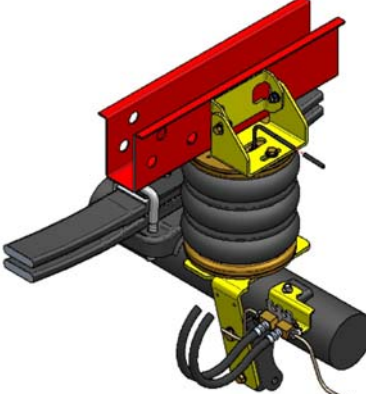
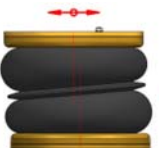

Ford Transit 350  
L.TRA.DA.C.M / L.TRA.DA3.C.M



Ford Transit 350  
L.TRA.DA.C.M / L.TRA.DA3.C.M

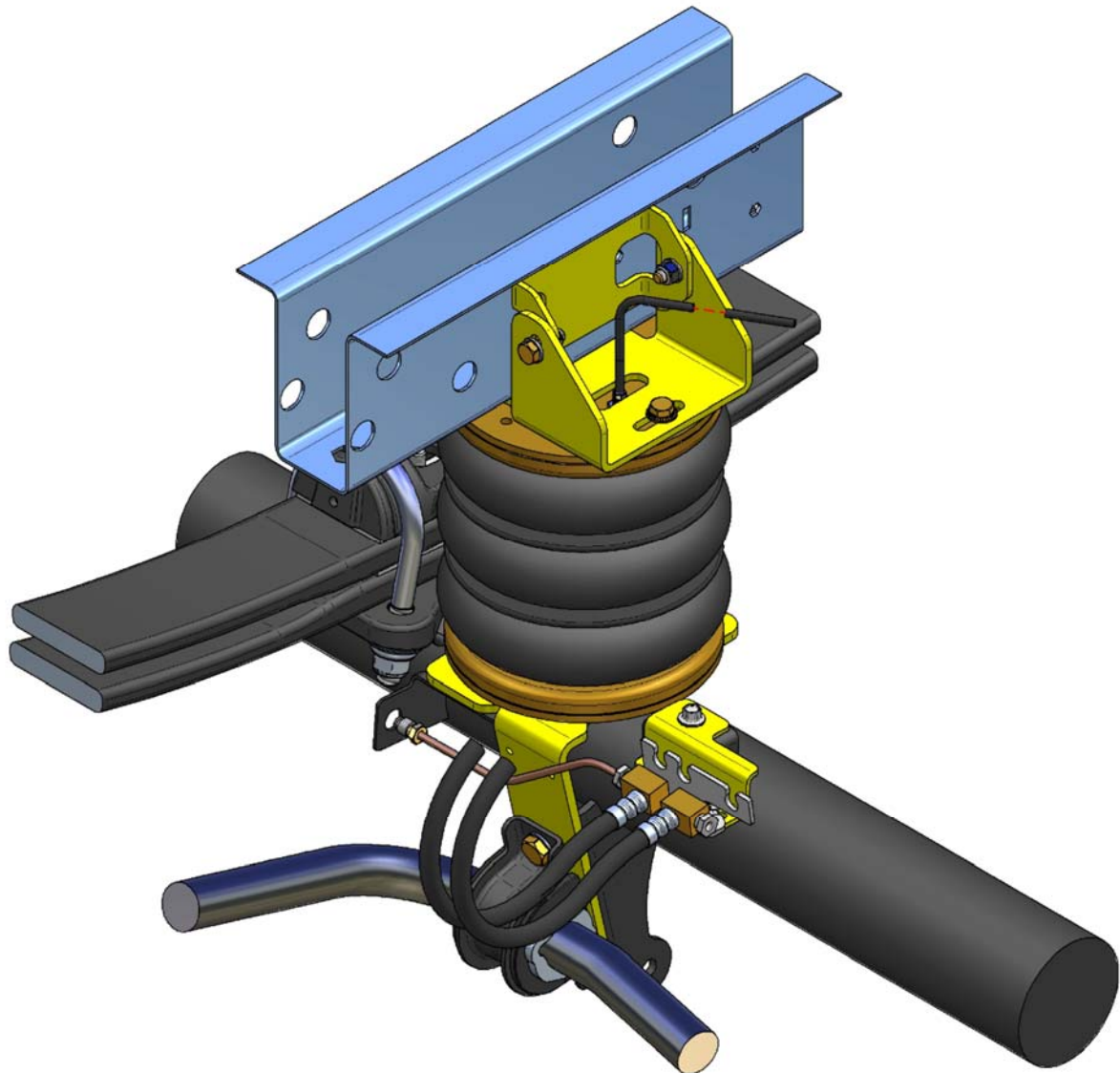


Ford Transit 350  
L.TRA.DA.C.M / L.TRA.DA3.C.M

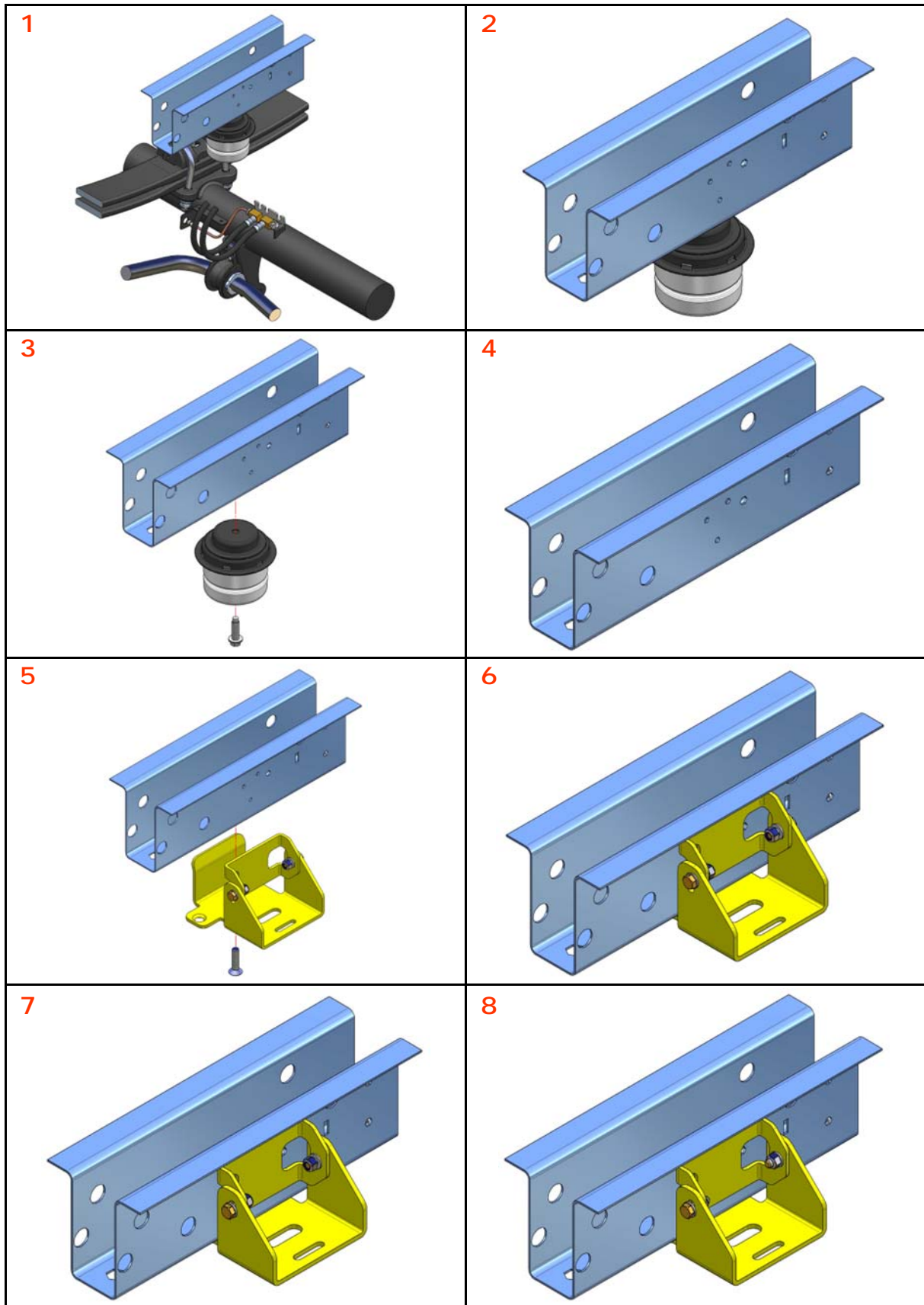
<p style="color: red; font-weight: bold; margin-bottom: 0;">25</p> 	<p style="color: red; font-weight: bold; margin-bottom: 0;">26</p> 
<p style="color: red; font-weight: bold; margin-bottom: 0;">27</p> <div style="display: flex; align-items: center; justify-content: center; gap: 20px;">   </div> <p style="margin-top: 10px;"> <span style="display: inline-block; width: 150px;">Spring out of alignment—mounting plate axes offset</span> <span style="display: inline-block; width: 150px;">Spring in alignment—mounting plates parallel and coaxial</span> </p> <p style="margin-top: 10px;"> <span style="color: yellow; font-weight: bold; font-size: 1.2em;">!</span> <b>CAUTION!</b> Before fully tightening the bolts that secure the air spring to the upper and lower brackets, set the vehicle at ride height (spring height approximately 13.5cm) and ensure that the springs are correctly aligned.         </p>	

Ford Transit 350  
L.TRA.DA.C.M/ L.TRA.DA3.C.M

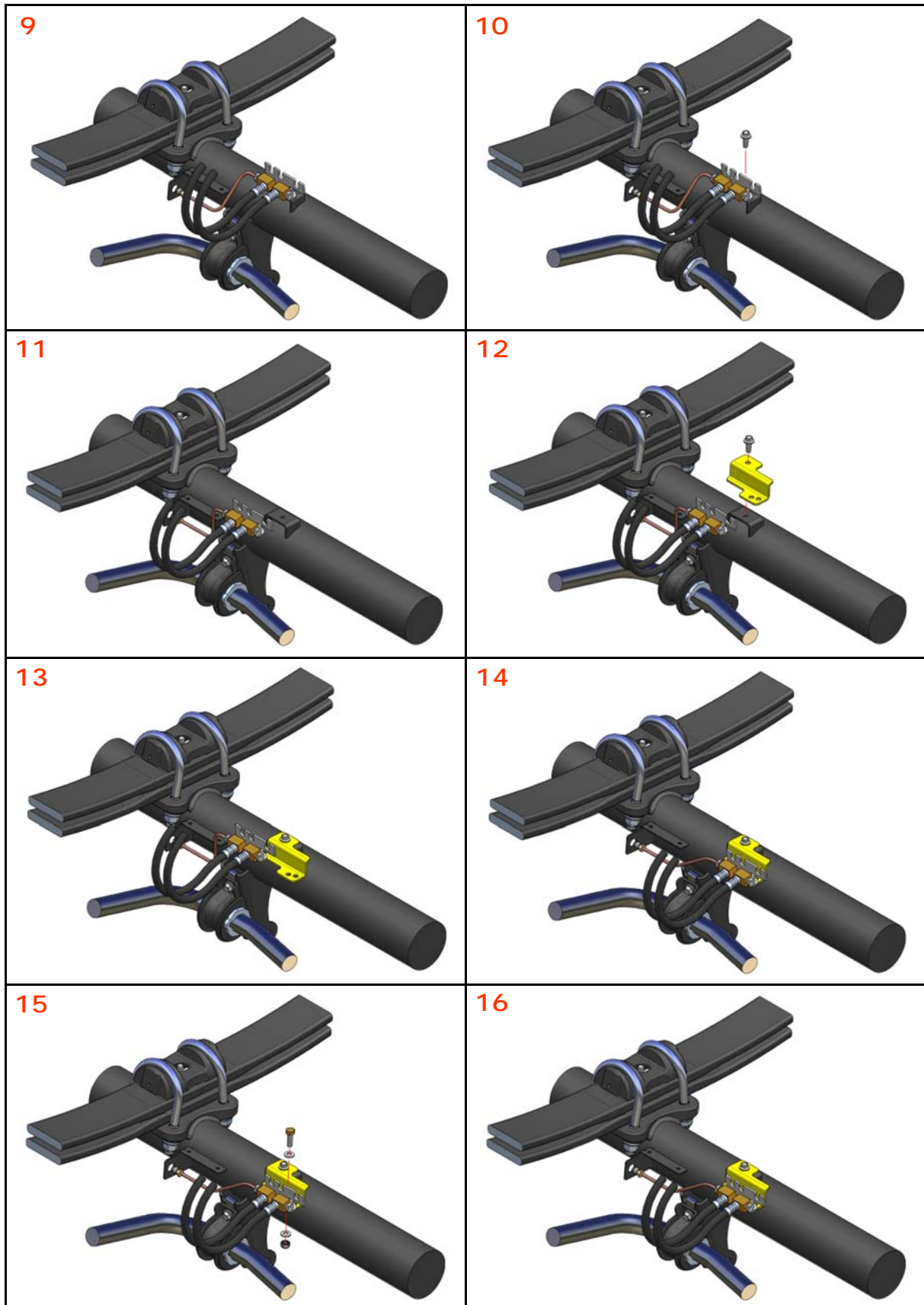
5.2 L.TRA.DA3.C.M (2006 Onwards)



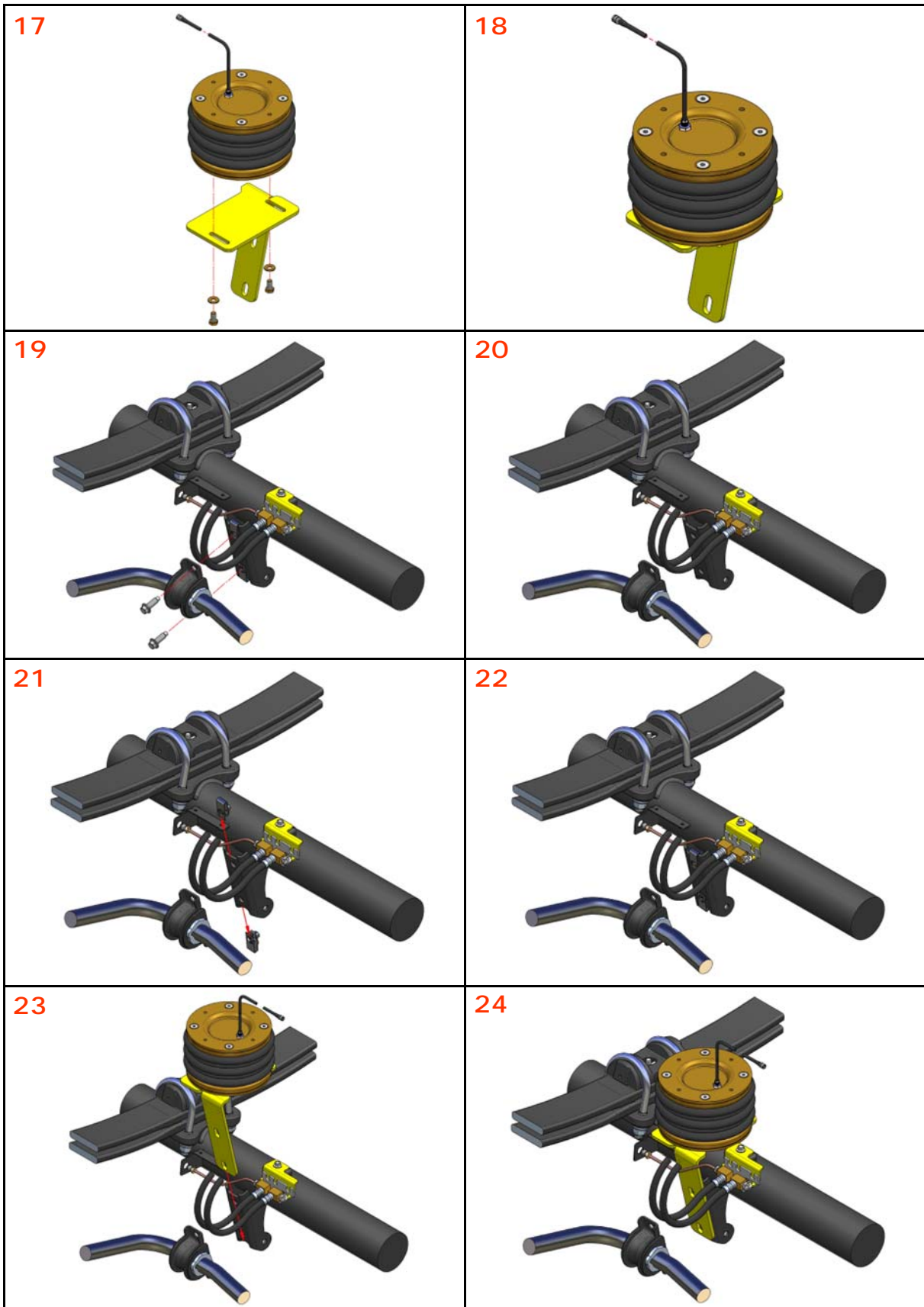
Ford Transit 350  
L.TRA.DA.C.M / L.TRA.DA3.C.M



Ford Transit 350  
L.TRA.DA.C.M / L.TRA.DA3.C.M

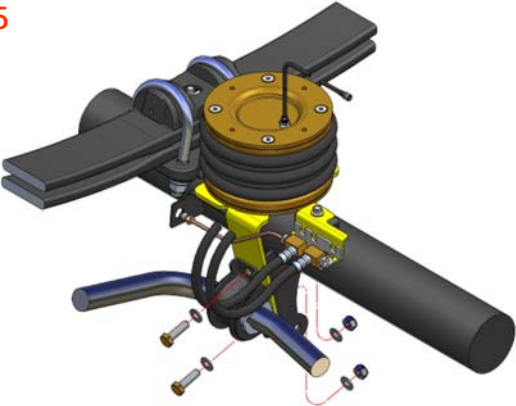
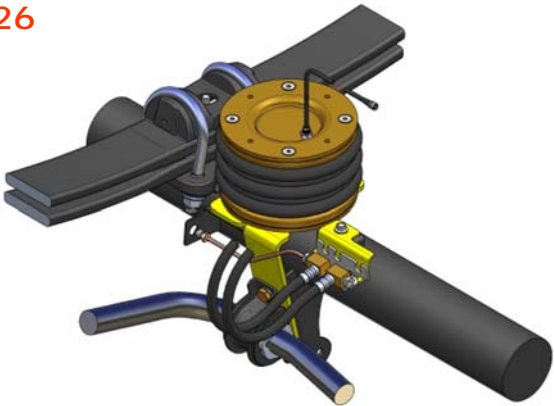
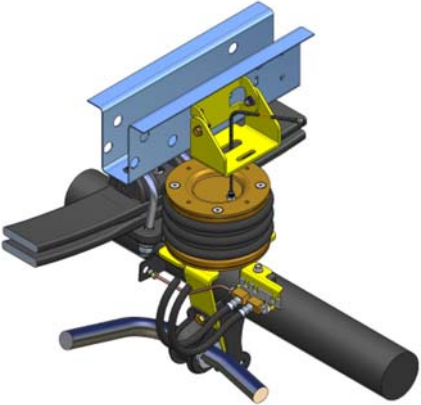
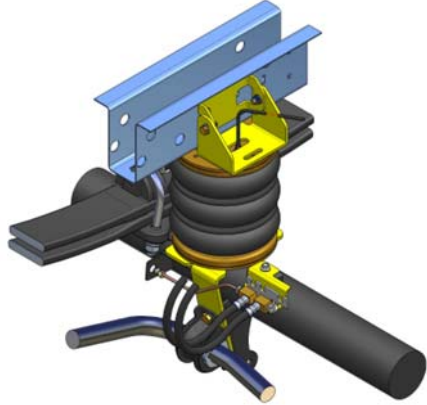
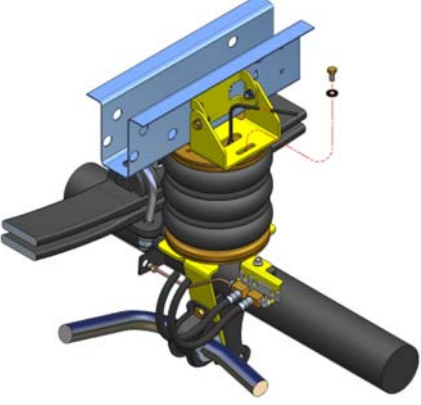
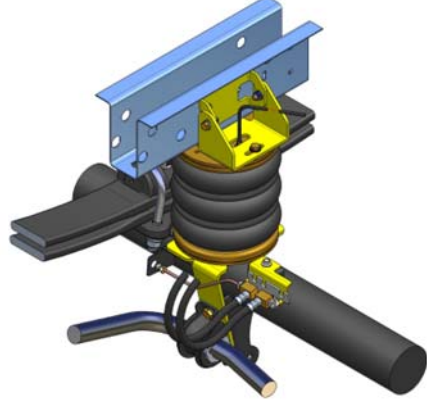
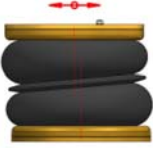



Ford Transit 350  
L.TRA.DA.C.M / L.TRA.DA3.C.M





Ford Transit 350  
L.TRA.DA.C.M / L.TRA.DA3.C.M

<p style="color: red; font-weight: bold; margin: 0;">25</p> 	<p style="color: red; font-weight: bold; margin: 0;">26</p> 
<p style="color: red; font-weight: bold; margin: 0;">27</p> 	<p style="color: red; font-weight: bold; margin: 0;">28</p> 
<p style="color: red; font-weight: bold; margin: 0;">29</p> 	<p style="color: red; font-weight: bold; margin: 0;">30</p> 
<p style="color: red; font-weight: bold; margin: 0;">31</p> <div style="display: flex; align-items: center; justify-content: center; gap: 20px;"> <div style="text-align: center;">  </div> <div style="text-align: center;">  </div> </div> <p style="margin-top: 10px;">Spring out of alignment—mounting plate axes offset      Spring in alignment—mounting plates parallel and coaxial</p> <p style="margin-top: 10px;"><b>⚠ CAUTION!</b> Before fully tightening the bolts that secure the air spring to the upper and lower brackets, set the vehicle at ride height (spring height approximately 13.5cm) and ensure that the springs are correctly aligned.</p>	



Ford Transit 350

L.TRA.DA.C.M/ L.TRA.DA3.C.M

## 6. EPILOGUE

DSC Nederland hopes that you enjoy the benefits that your *DUNLOP* air suspension system will provide for you. To ensure optimal performance, we advise that you have your system checked frequently by qualified personnel. As recommended in the fitting instructions, it is important to coat all the steel parts with a protective substance such as body wax.

### **IMPORTANT : Manufacturer's Declaration Form**

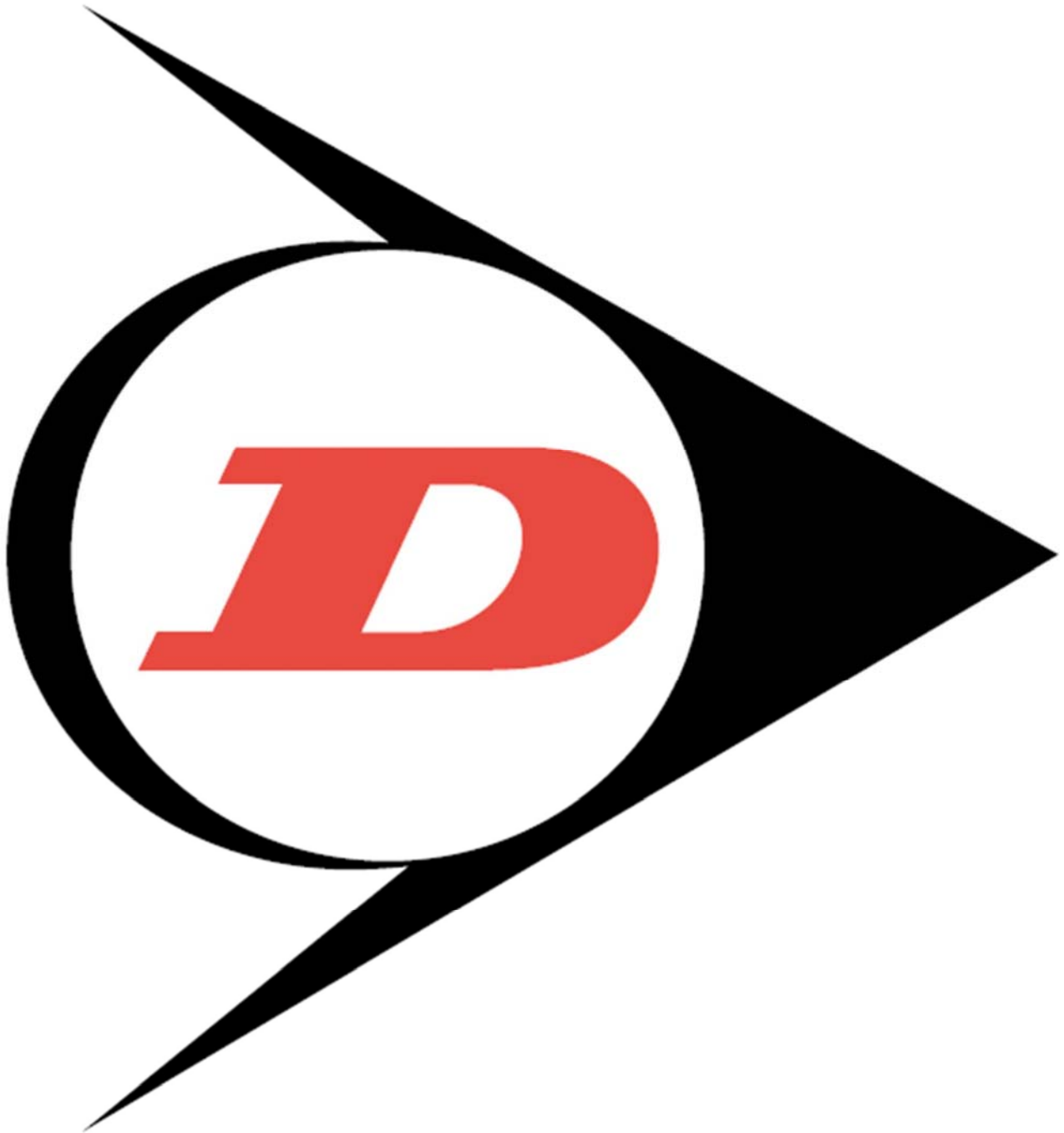
A manufacturer's declaration form is provided with your kit. Following installation of the kit please ensure that this form is completed, signed by a qualified fitter and a copy is returned to DSC Nederland by post, fax or e-mail. Our e-mail address is: [info@dunlopsystems.nl](mailto:info@dunlopsystems.nl)

As a condition of your warranty, modifications to the system may only be carried out by personnel of DSC Nederland.

### **Enquiries**

For general enquiries please contact one of our dealers. You can find them on our website.

[www.dunlopsystems.nl](http://www.dunlopsystems.nl)



DSC Nederland B.V.  
Het Wegdam 22  
7496 CA Hengevelde  
Nederland  
Tel. : +31 (0)547 333065  
Fax. : +31 (0)547 333068  
e-mail: [info@dunlopsystems.nl](mailto:info@dunlopsystems.nl)

[www.dunlopsystems.nl](http://www.dunlopsystems.nl)