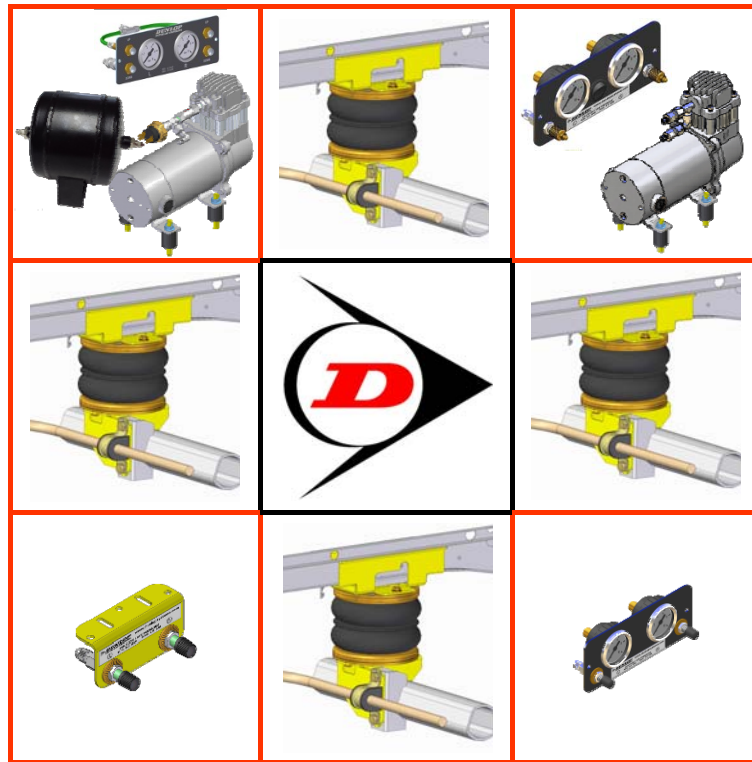


## Installation Manual

# L.CRA.17.C.M and L.CRA.17R.C.M (FWD, RWD and 4-Motion) Volkswagen Crafter (2017 Onwards) MAN TGE (2017 Onwards)





Volkswagen Crafter FWD and RWD/ MAN TGE FWD and RWD  
**L.CRA.17.C.M / L.CRA.17R.C.M**

**CONTENTS**

1. FOREWORD .....	3
2. INTRODUCTION .....	4
3. VERY IMPORTANT NOTES.....	5
4. OVERVIEW .....	6
5. INSTRUCTIONS FOR INSTALLATION .....	7
5.1. Preparation .....	7
5.2. Bump Stop Removal and fitting of Upper Bracket.....	8
5.3. Attachment of Lower Bracket and Bellow to Axle .....	8
5.4. Attachment of Upper Bracket to Bellow .....	9
5.5. Fitting of Inflator Console.....	10
5.6. Tube Connection and Disconnection, Cutting and Routing .....	12
5.7. Spring Inflation .....	13
5.8. Spring Alignment .....	14
5.9. Maintenance.....	14
5.10. Check List .....	15
6. INSTALLATION PHOTOS.....	17
7. EPILOGUE .....	19

DSC Nederland B.V.  
Het Wegdam 22  
7496 CA Hengevelde  
Nederland  
Tel. : +31 (0)547 333065  
Fax. : +31 (0)547 333068  
e-mail: [info@dunlopsystems.nl](mailto:info@dunlopsystems.nl)  
Website: [www.dunlopsystems.nl](http://www.dunlopsystems.nl)

[www.dunlopsystems.nl](http://www.dunlopsystems.nl)

© 2018, DSC Nederland B.V.



**MAN**



Volkswagen Crafter FWD and RWD/ MAN TGE FWD and RWD

**L.CRA.17.C.M / L.CRA.17R.C.M**

## 1. FOREWORD

This manual provides instructions for the installation of an auxiliary air suspension kit, developed specifically for the Volkswagen Crafter FWD / RWD and the MAN TGE FWD and RWD (2017—onwards). To ensure correct installation of the kit, it is strongly recommend that these instructions are read thoroughly before commencing any installation work. Installation should only be carried out by a suitably qualified mechanic or specialist installation facility. DSC Nederland will not accept any responsibility for faults or defects arising from incorrect installation, which automatically renders the guarantee invalid.



Volkswagen Crafter FWD and RWD/ MAN TGE FWD and RWD

**L.CRA.17.C.M / L.CRA.17R.C.M**

## 2. INTRODUCTION

Thank you for choosing an auxiliary air suspension kit from the range offered by *DSC Nederland*. Auxiliary air suspension is fitted in tandem with the standard steel springs of the vehicle suspension, and provides enhancements in terms of both the stability of the vehicle and the comfort of the passengers...

### **Vehicle Levelling**

Simply by varying the air pressure in the springs, the vehicle can be levelled both front-to-rear and side-to-side. Keeping the vehicle level optimises stability, ensures correct headlamp beam distribution and reduces tyre wear arising from uneven distribution of weight.

### **Straight Line Stability**

Straight line stability is greatly increased at higher speeds, and when subjected to buffeting from cross-winds or large overtaking vehicles.

### **Reduced Body Roll**

Body roll when cornering or negotiating roundabouts is significantly reduced.

### **Fatigue Reduction and Wear Compensation**

Suspension fatigue is reduced, so helping to prevent leaf springs from sagging under repeated or constant loading. Any sagging already present can be compensated-for. This is a particular benefit for motorhomes, which are always fully laden.

### **Ride Comfort**

Air springs help to absorb shock loads from uneven road surfaces, therefore general ride quality is much improved.



MAN



Volkswagen Crafter FWD and RWD/ MAN TGE FWD and RWD

**L.CRA.17.C.M / L.CRA.17R.C.M**

### 3. VERY IMPORTANT NOTES



#### **Gross Vehicle Weight (GVW)**

**Air assist kits are not in themselves designed to increase the gross vehicle weight (GVW) rating of a vehicle.** They do not legally allow for carriage of a load greater than the carrying capacity stated on the data plate of the vehicle.

Do not exceed the maximum load specified by the vehicle manufacturer...

- ◆ to avoid compromising passenger safety
- ◆ to prevent possible damage to the vehicle
- ◆ for legal reasons

#### **Vehicle Upgrading**

Despite the above words of caution, it is possible to upgrade the weight rating of your vehicle. This must be carried-out by a specialist supplier that will...

- ◆ carry out any necessary modifications in addition to fitting the air assist kit
- ◆ complete documentation as necessary to inform the Vehicle and Operator Services Agency (VOSA) – a mandatory requirement
- ◆ supply and fit a new weight plate to replace the original plate supplied with the vehicle

This process applies to United Kingdom registered vehicles. The process in other countries may be different.

This process applies to United Kingdom registered vehicles. The process in other countries may be different.

#### **Safety Guidance Note**

The following very useful guidance note is available for free download from the *Health and Safety Executive (HSE)*...

**PM85, July 2007** *Safe recovery (and repair) of buses and coaches fitted with air suspension*

The uniform resource locator (URL) for this document is...

<http://www.hse.gov.uk/PUBNS/pm85.pdf>

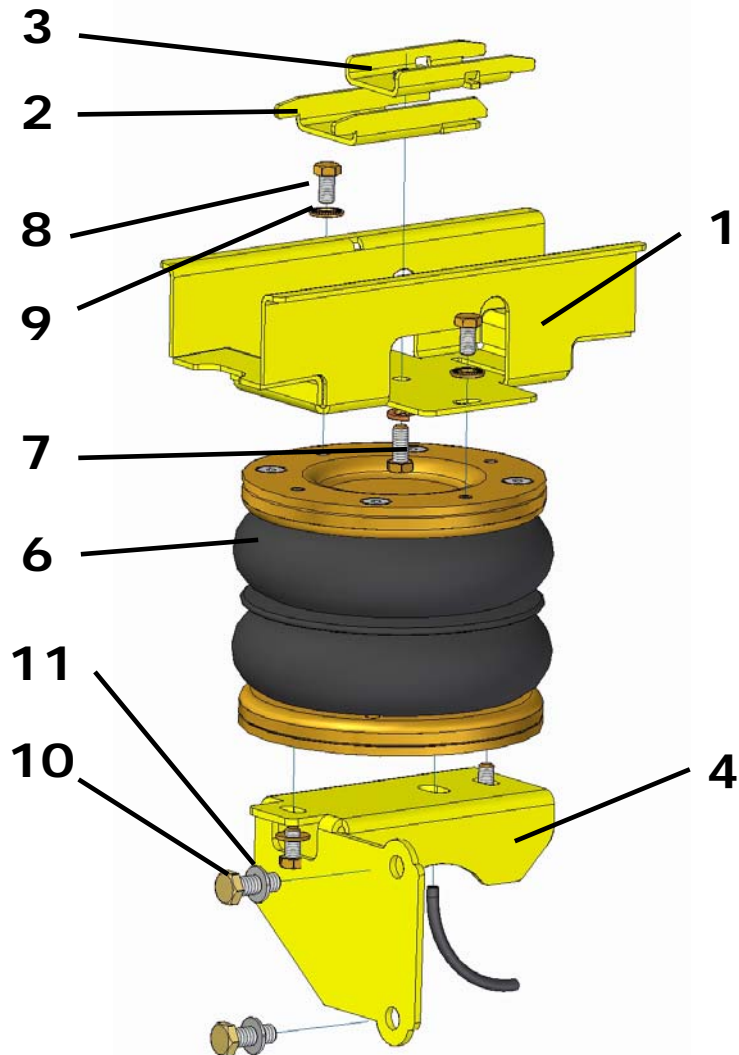
**MAN**

Volkswagen Crafter FWD and RWD/ MAN TGE FWD and RWD

**L.CRA.17.C.M / L.CRA.17R.C.M****4. OVERVIEW**

Number	Part Number	Description	Quantity
1	81.10.00.1.01.01	Top plate Left and Right	2
2	81.10.00.1.01.02	Clamb Strap outside	2
3	81.10.00.1.01.03	Clamb Strap inside	2
4	81.10.00.1.04	Lower bracket Left	1
5	81.10.00.1.05 *	Lower bracket Right	1
6	OP.LB.170-2.CPL	Air bellow 170/2	2
7	DIN 933-M8x20	Hexagon bolt M8 x 20	2
8	DIN 933-M8x16	Hexagon bolt M8 x 16	8
9	M8	Disc spring washer	10
10	DIN 961-M12x1,5x30	Hexagon bolt M12 x 30 p=1,5	4
11	DIN 125A-M12	Washer M12	4

\* right side not in the assembly drawing



Not in the assembly drawing...

- Tie wraps`
- Blue hose
- Inflate valves (or option)
- Declaration of conformity
- Installation manual



Volkswagen Crafter FWD and RWD/ MAN TGE FWD and RWD  
**L.CRA.17.C.M / L.CRA.17R.C.M**

**5. INSTRUCTIONS FOR INSTALLATION**



**Preparation and Precaution**

Before beginning installation, ensure that you have sufficient clearance between the axle and the chassis. Use a jack if necessary. Install at one side of the vehicle at a time.



Pay attention to your safety at all times during installation - always use axle stands to support the vehicle!



The position of the axle stands should be under the chassis NOT under the axle!

**Recommended Tightening Torque**

During fitting of the air suspension system, it is recommended that nuts and bolts are tightened in accordance with the following table...

METRIC TORQUE CHART IN N.m		
SIZE	CLASS 8.8	CLASS 10.9
M6 x 1	9.9	14.0
M8 x 1.25	24.0	34.0
M10 x 1.5	48.0	67.0
M12 x 1.5	61.0	89.0
M16 x 2	200.0	285.0

- When both the bolt and nut are made from steel use either class 8.8 or 10.9
- For all other materials, tightening torque is left to the discretion of a person skilled in the art

The following instructions make reference to the diagrams on pages 16 to 18 inclusive.

**5.1 Preparation**

- Secure the front wheels, use wheel chocks on both sides of both front wheels.
- Take the ground terminal from the battery when work to electricity is involved.
- Lift the rear of the vehicle till there is working space of approximately 15 cm between bump stop and rear axle.



Volkswagen Crafter FWD and RWD/ MAN TGE FWD and RWD

## L.CRA.17.C.M / L.CRA.17R.C.M

### 5.2 Bump Stop Removal and fitting of Upper Bracket

- i. Remove the two bump stops—Figures 1 to 3.
- ii. Remove the holder of the cable loom Figure 4.
- iii. See Figures 5 to 6. The chassis bracket assembly has two parts. Put the two parts together and offer them up to the frame left vacant by removal of the bump stop. Now slide the upper of the two chassis brackets inside the lower of the two until the assembly is loosely attached to the bump stop frame with the holes in alignment.
- iv. Offer the upper bracket up to the chassis bracket assembly and attach it using a single M8 x 20mm bolt and a single serrated washer—Figures 7 and 8.
- v. The cable loom can be attached with a ty-wrap trough the hole in the middle at the top of the upper bracket.

### 5.3 Attachment of Lower Bracket and Bellow to Axle

- i. Remove the two bolts from the bracket that attaches the torsion beam assembly to the axle—Figures 9 and 10
- ii. See Section 5.6 - "*Tube Connection and Disconnection, Cutting and Routing*" : Connect a tube to the bellow by pushing the tube into the air inlet port on the underside of the spring and then hand-rotating the tube by one screw turn. Use black tubing for the left-hand bellow and blue for the right-hand bellow—Figure 11.
- iii. Feed the tube through the hole provided in the lower bracket, then attach the bracket to the lower plate of the bellow using two M8 x 16mm bolts and two serrated washers—Figures 11 and 12. Do not fully tighten at this stage because the bellow may require alignment once inflated (see Section 5.8, Figure 19).
- iv. Manually compress each bellow and then bung the end of the tube to maintain the compressed state
- v. Reattach the bracket that secures the torsion beam to the axle, thereby also securing the lower bracket and bellow to the axle—Figures 13, 14 and 15. Use M12 x 1.5 x 30mm hexagon screws (be aware of the small pitch of 1.5 mm) and 13mm washers, the original screws are too short.





Volkswagen Crafter FWD and RWD/ MAN TGE FWD and RWD

## **L.CRA.17.C.M / L.CRA.17R.C.M**

### **5.4 Attachment of Upper Bracket to Bellow**

- i. Release the bung from the tube. This allows air into the bellow, which consequently expands upwards towards the upper bracket—Figure 16.
- ii. The distance between the top face of upper plate of the bellow and the bottom face of the lower plate should now be approximately 13.5cm. Manoeuvre the bellow such that it is in good vertical alignment between the upper and lower brackets.
- iii. Attach the upper bracket to the bellow using two M8 x 16mm bolts and two serrated washers—Figures 17 and 18. Do not fully tighten at this stage because the bellow may require alignment once inflated (see Section 5.8, Figure 19).

**MAN**

Volkswagen Crafter FWD and RWD/ MAN TGE FWD and RWD  
**L.CRA.17.C.M / L.CRA.17R.C.M**

**5.5 Fitting of Inflator Console**



Your kit is supplied with one of the inflator console options shown above...

- **OPTION VALVES** : Two valves and a small bracket
- **OPTION 1** : Two valves in a console with two independent 10-bar pressure gauges
- **OPTION 2** : Two valves in a console with two independent 10-bar pressure gauges and a rocker on/off switch to operate the electric motor driven air compressor
- **OPTION 3** : Four valves (two for raising the vehicle ('UP') and two for lowering the vehicle ('DOWN')) in a console with two independent 10-bar pressure gauges. A pressure switch operates the electric motor driven air compressor to keep the air reservoir of 2.2-litre at pressure.



A special dashboard panel is available for **OPTION 1** and **OPTION 2**



Volkswagen Crafter FWD and RWD/ MAN TGE FWD and RWD

## L.CRA.17.C.M / L.CRA.17R.C.M

Mount the console in a position of your choice whereby it is firmly fixed, has some protection from the environment (particularly important for the console with gauges) and is easily accessible. Suggested possible locations include...

### 'Standard' Console...

- on the rear bumper
- at the rear beside the license plate
- on the chassis next to a rear wheel
- in a service shutter (motorhomes)
- beside the fuel cap

### 'Option 1', 'Option 2' or 'Option 3' Console...

- in the vehicle cabin, within reach and sight of the driver
- Beside, under the driver seat
- in the wall of a cupboard (motorhomes)
- in a service shutter (motorhomes)

### 'Comfort' Packages

The 'Option 2' and 'Option 3' panels, as shown above, are each part of a *Comfort Package* that is supplied with a compressor (and also an air reservoir in the case of the 'Option 3' panel) for ease of spring inflation and ride height setting. For further information please ask your dealer.

The photograph below shows all of the parts of Comfort Package 'Option 2'...



Comfort Package 'Option 2'

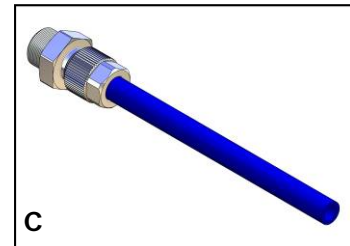
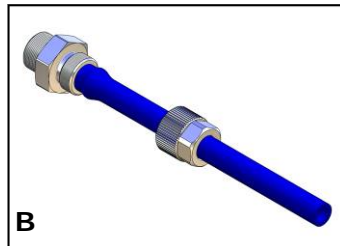
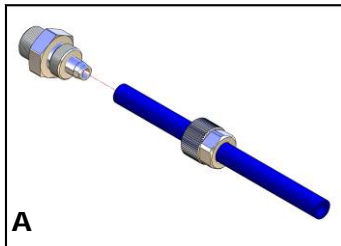


## Volkswagen Crafter FWD and RWD/ MAN TGE FWD and RWD **L.CRA.17.C.M / L.CRA.17R.C.M**

### 5.6 Tube Connection and Disconnection, Cutting and Routing

#### Connection and Disconnection

Tubes are connected as shown by the diagrams below...



- A. Slide a nut over the end of the tube
- B. Push the tube onto the connector as far as possible
- C. Feed the nut up to the connector, fully tighten by hand and finally tighten one additional turn using spanners

#### Cutting

To achieve good sealing and air-tight fitting of tube ends to their connecting parts, it is very important to cut tubing cleanly and squarely. A dedicated guillotine action tubing cutter is recommended, or a craft knife if such a tool is not available. Do not use electrician's side cutters.



A dedicated tubing cutter -  
**Recommended**



Electrician's Side Cutters  
**NOT Recommended**



**MAN**



Volkswagen Crafter FWD and RWD/ MAN TGE FWD and RWD

## L.CRA.17.C.M / L.CRA.17R.C.M

### Routing

Study the underside of the vehicle and decide how to route each branch of the air circuit...

- To minimise the risk of chafing, avoid running tubing over metal edges as much as possible
- Avoid close proximity to heat sources such as the exhaust assembly
- Choose a route that provides as much protection as possible from dirt, debris and any solid objects that may impact the underside of the vehicle

It is recommended that tubes are guided alongside brake lines as much as possible.



Use cable ties ('tie wraps') to secure tubing to the chassis, taking care not to over-tighten them.

### 5.7 Spring Inflation

Once installation of the air assist kit is complete, inflate the springs to achieve the desired ride height via the inflator console taking careful note of the following...



#### Maximum and Minimum Pressure

**Maximum Pressure 7.0bar**

**Minimum Pressure 0.5bar**

Do not exceed 7.0bar (101psi), which is the recommended maximum charge pressure for the air springs.

The springs may be deflated if the vehicle is to be stored for a lengthy period without use, but a pressure of at least 0.5bar (7.25psi) should be maintained at all times in order to avoid possible compression damage to the springs.

With the vehicle standing at the desired ride height, it is recommended that the height of the bellow itself should be between 18cm and 22cm.

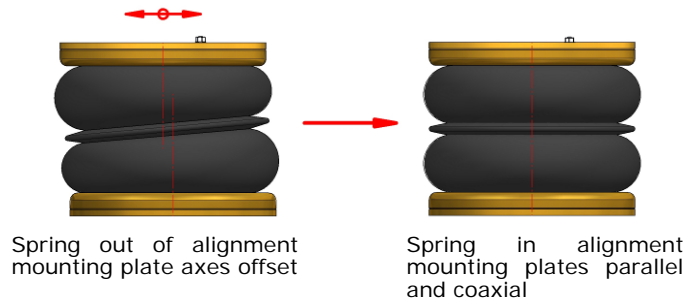


**MAN**



## Volkswagen Crafter FWD and RWD/ MAN TGE FWD and RWD **L.CRA.17.C.M / L.CRA.17R.C.M**

### 5.8 Spring Alignment



- i. With the vehicle standing at the desired ride height, ensure that the springs are correctly aligned as illustrated above and then tighten the bolts to secure the bellow to both the upper and the lower mounting brackets.
- ii. Always check if the air bellow won't touch any obstacle

### 5.9 Maintenance

Following installation, it is recommended that all metal parts are coated with a protective substance such as body wax.

The system does not require very much maintenance other than...

- ◆ to maintain air pressure in the springs. Much like a tyre, the system may lose a little air over time.
- ◆ to keep the air bellows clean. It is suggested that, when washing the vehicle, the bellows are inspected and cleaned as necessary (preferable by spraying). Look in particular for stones or grit trapped between convolutes, as this may damage the bellow.
- ◆ Check before and after the winter period the wax coating. Re-wax when necessarily



Volkswagen Crafter FWD and RWD/ MAN TGE FWD and RWD  
**L.CRA.17.C.M / L.CRA.17R.C.M**

**5.10 Check List**

Before driving the vehicle following completion of installation of the auxiliary air suspension system, please check...

- ...all bolts tightened to the recommended torque (Page 7)?
- ...air springs set in alignment (Section 5.8)?
- ...enough free space around the air springs to avoid wearing?
- ...all metal parts wax coated (Section 5.9)?
- ...manufacturer's declaration form completed and a copy returned?



A wait of 24 hours is recommended in order to ensure that the vehicle has maintained its stance and that there are no air leaks present.

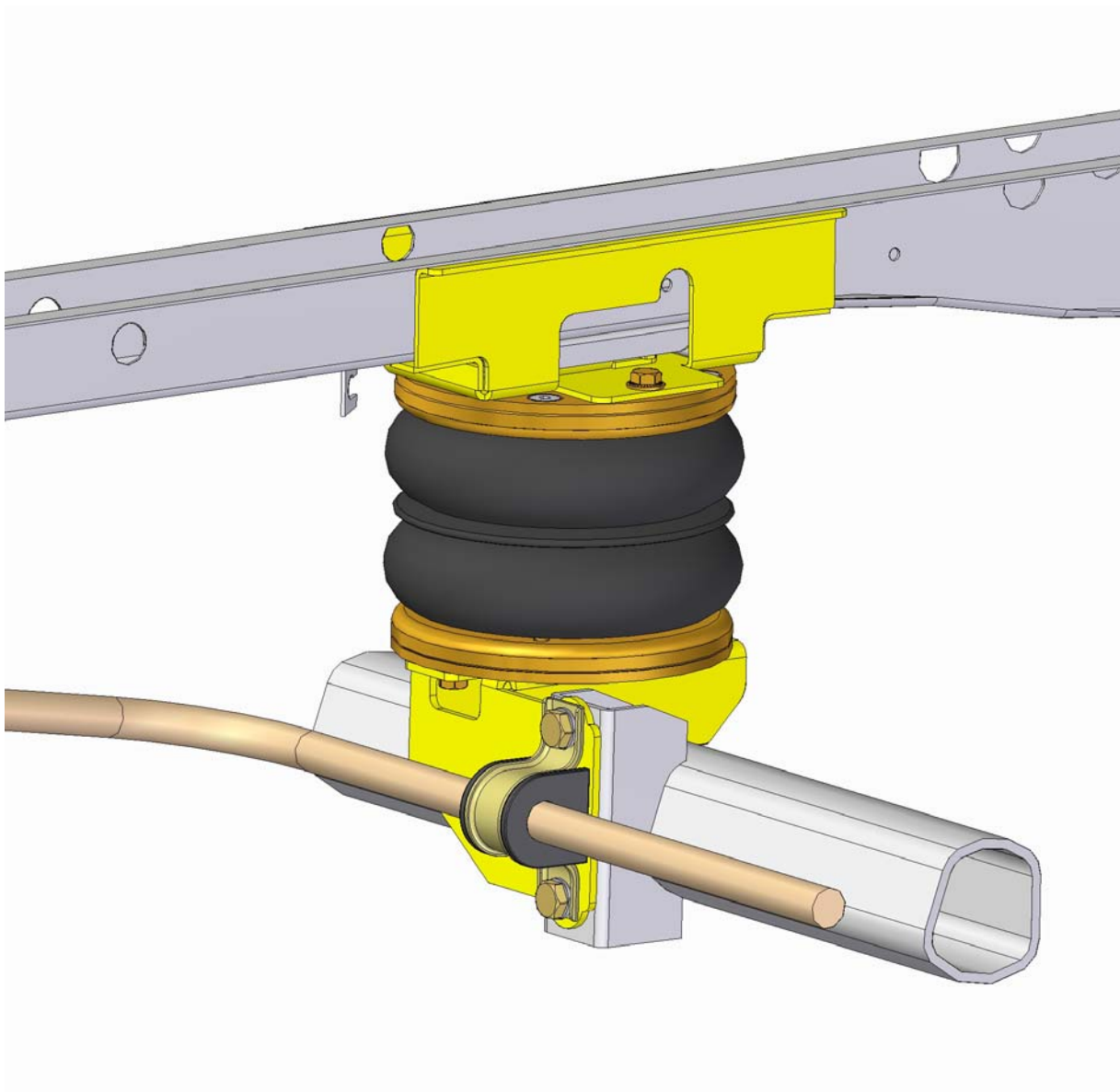


**MAN**



Volkswagen Crafter FWD and RWD/ MAN TGE FWD and RWD  
**L.CRA.17.C.M / L.CRA.17R.C.M**

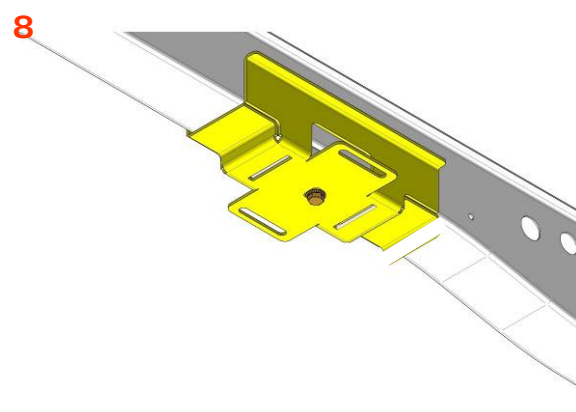
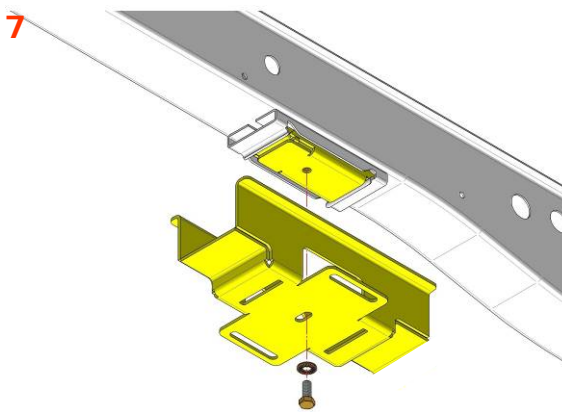
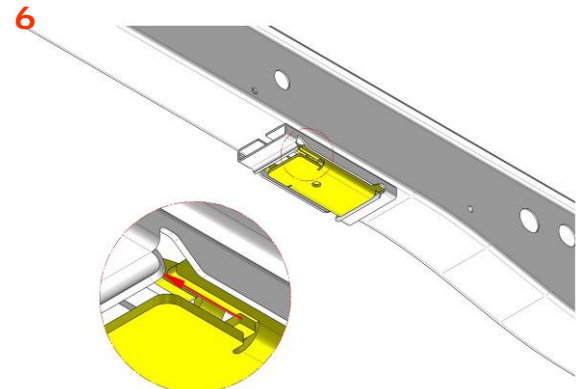
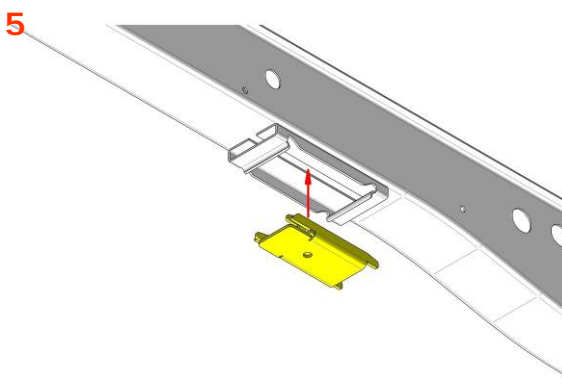
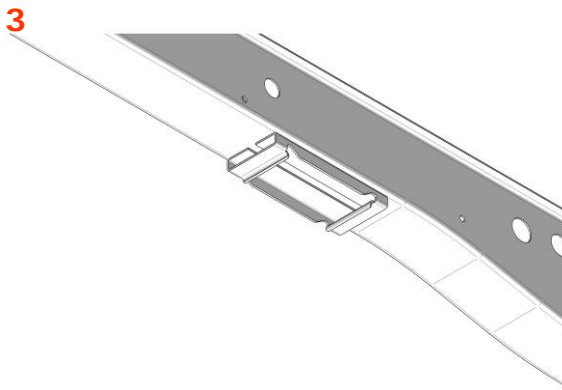
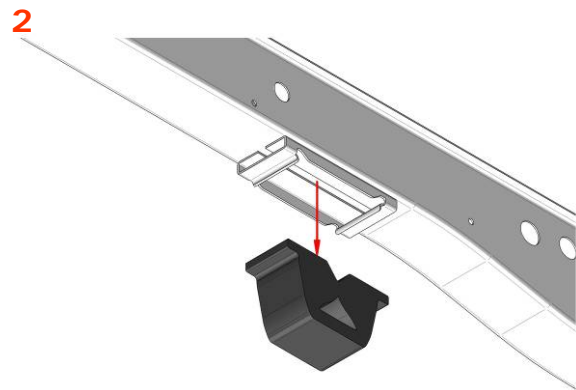
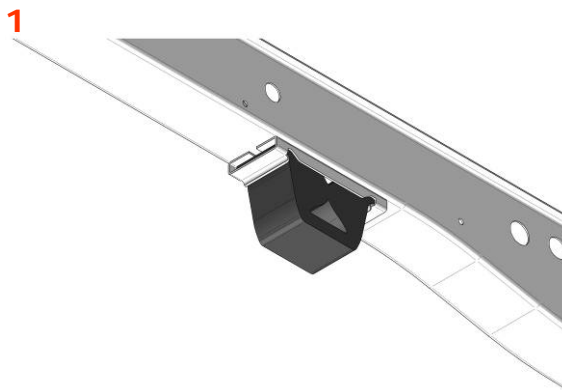
## 6. INSTALLATION PHOTOS







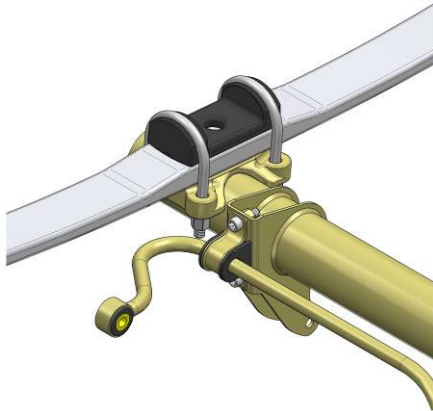
Volkswagen Crafter FWD and RWD/ MAN TGE FWD and RWD  
**L.CRA.17.C.M / L.CRA.17R.C.M**



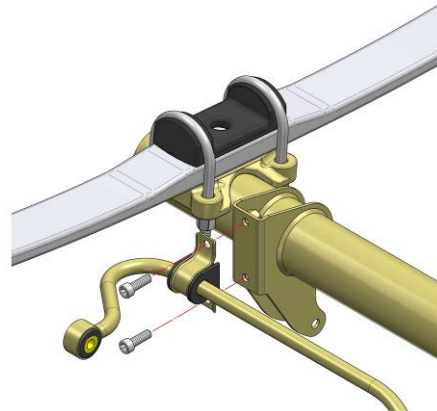


Volkswagen Crafter FWD and RWD/ MAN TGE FWD and RWD  
**L.CRA.17.C.M / L.CRA.17R.C.M**

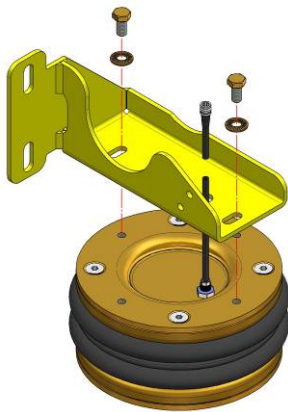
9



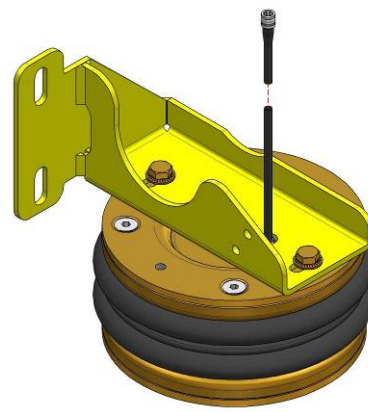
10



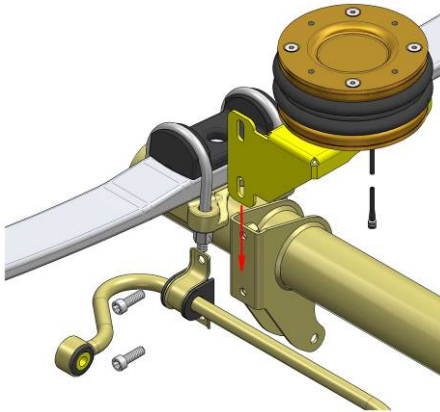
11



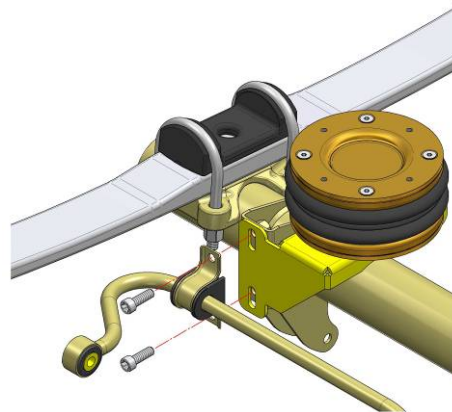
12



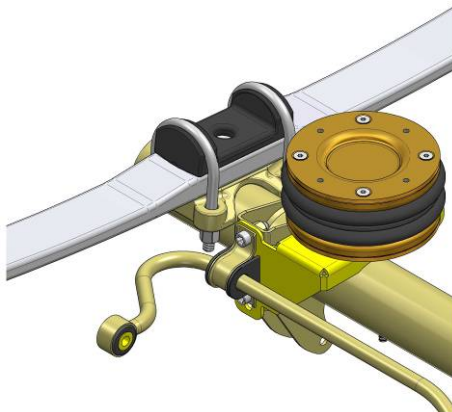
13



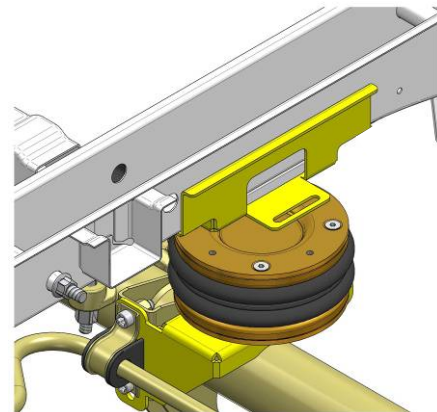
14



15



16



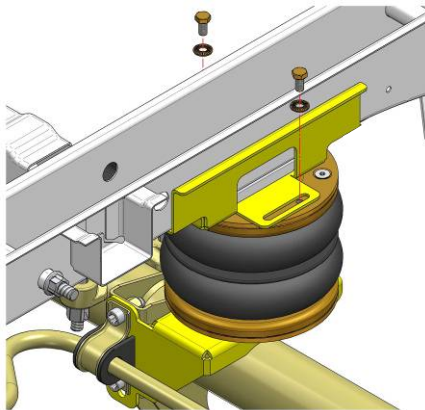


**MAN**

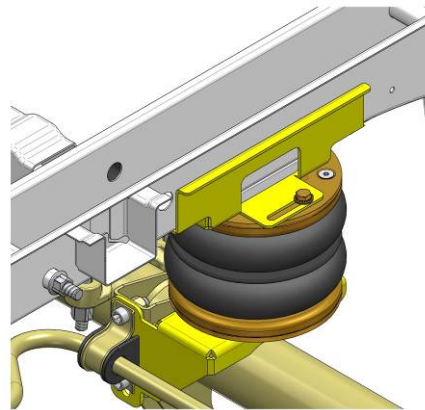


Volkswagen Crafter FWD and RWD/ MAN TGE FWD and RWD  
**L.CRA.17.C.M / L.CRA.17R.C.M**

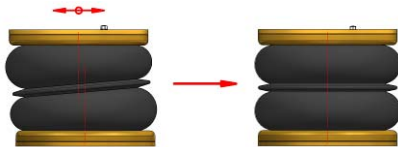
17



18



19



Spring out of alignment—mounting plate axes offset

Spring in alignment—mounting plates parallel and coaxial



**CAUTION!**

Before fully tightening the bolts that secure the air spring to the upper and lower brackets, set the vehicle at ride height (spring height approximately 13.5cm) and ensure that the springs are correctly aligned.



**MAN**



Volkswagen Crafter FWD and RWD/ MAN TGE FWD and RWD

**L.CRA.17.C.M / L.CRA.17R.C.M**

## 6. EPILOGUE

DSC Nederland hopes that you enjoy the benefits that your *DUNLOP* air suspension system will provide for you. To ensure optimal performance, we advise that you have your system checked frequently by qualified personnel. As recommended in the fitting instructions, it is important to coat all the steel parts with a protective substance such as body wax.

### **IMPORTANT : Manufacturer's Declaration Form**

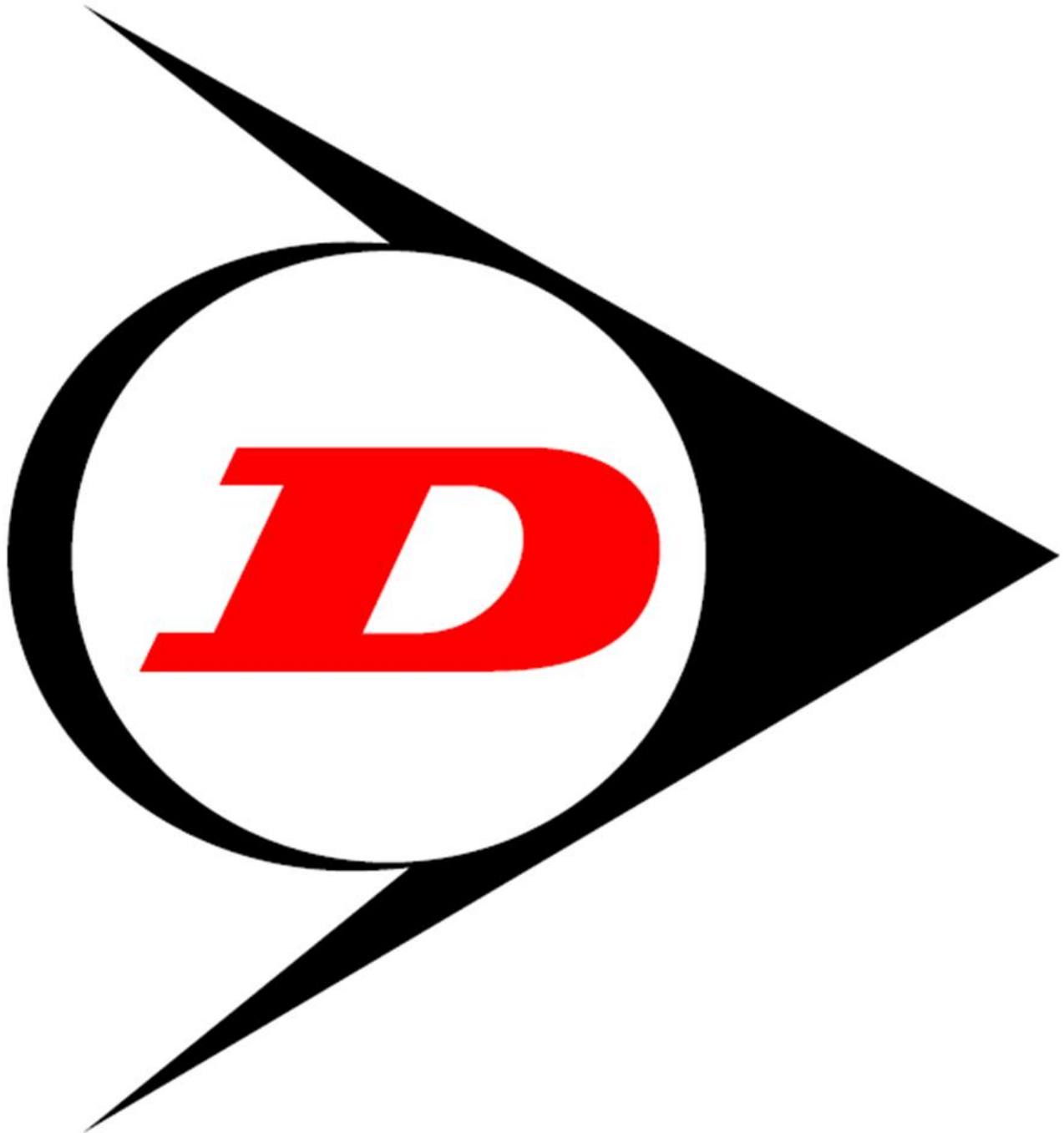
**A manufacturer's declaration form is provided with your kit. Following installation of the kit please ensure that this form is completed, signed by a qualified fitter and a copy is returned to DSC Nederland B.V.**

As a condition of your warranty, modifications to the system may only be carried out by personnel of DSC Nederland.

### **Enquiries**

For general enquiries please contact one of our dealers. You can find them on our website.

[www.dunlopsystems.nl](http://www.dunlopsystems.nl)



DSC Nederland B.V.  
Het Wegdam 22  
7496 CA Hengevelde  
Nederland  
Tel. : +31 (0)547 333065  
Fax. : +31 (0)547 333068  
e-mail: [info@dunlopsystems.nl](mailto:info@dunlopsystems.nl)

[www.dunlopsystems.nl](http://www.dunlopsystems.nl)